



576 Recessed lever handles

586 Flush ring handles

# Recessed lever handles

## Added value at a glance

FSB sets precedents. In certain installation situations, door handles are not allowed to protrude beyond the face of the door, as in the case of sliding doors or gymnasium doors. To address this need, FSB developed recessed lever handles. Standard quality features such as robust functionality even under extreme conditions of use come together here with absolute precision.

---

Meets German Social Accident Insurance (DGUV) requirements and approved under EN 179 and DIN 18273

---

2 mm edge radii to prevent injury in accordance with DGUV requirements

---

Generous gripping space behind the lever handle pursuant to EN 179

---

Profile cylinder (PC) and blank keyways can be combined





EN 179 lever handle with its return to the flush pull and generous curvature reduces the risk of hands getting caught or pinched

Suitable for sliding door systems or gymnasium doors (handle does not protrude beyond the face of the door)

Opposite face fitted with FSB AGL® rose/backplate half-set

Range includes additional recessed lever handles for up-and-over doors as well as flush ring handles

Section 11(1) of the regulations of the German Social Accident Insurance (DGUV), 'Fixtures and fittings', stipulates that, in 'areas of occupancy' (these being areas in schools and nursery schools that are 'intended to be accessible to children'), 'edges, corners and hooks on fixtures and fittings [...], up to a height of 2 m from floor level, are to be so designed or made safe that the risk of injury [to the children] is avoided.' Injury avoidance is to be ensured by means of a minimum radius of 2 mm or by chamfering all corners and edges – and this also applies to door fittings.

7b

# Recessed lever handles

## Overview

■ Aluminium  
■ Stainless steel  
■ Bronze

77 7947 ■  
Page 582



77 7948 ■  
Page 583



77 7949 ■  
Page 584



77 7950 | 77 7952 ■ ■  
77 7954 ■  
Page 585



42 4203 | 42 4204 ■ ■  
Page 587



42 4205 ■  
Page 588





# Recessed lever handles for up-and-over doors

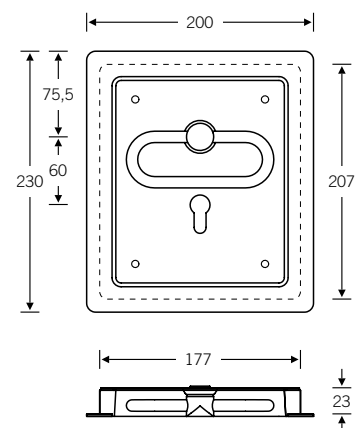
- Aluminium
- Stainless steel
- Bronze

77 7947 ■



9 mm square spindle

Profile cylinder (PC) 60 mm and blank keyways  
Installation depth 23 mm  
Frame height 25 mm



- FSB ASL®
  - FSB AGL®
  - FS heavy-duty fitting
  - EN 179 heavy-duty fitting
- For bearings, see page 52 ff.

# Recessed lever handles

conforming to EN 179 and DGUV

- Aluminium
- Stainless steel
- Bronze

77 7948 ■



🔑 9 mm square spindle

Profile cylinder (PC) and blank keyways  
(for EN 179 inactive leaf)  
Centres 72 + 92 mm  
Installation depth 40 mm  
Frame height 45 mm

For combination on opposite face with  
FSB AGL® rose or backplate half-set,  
turnably fixed variant (must be ordered  
separately)

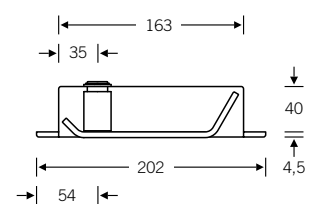
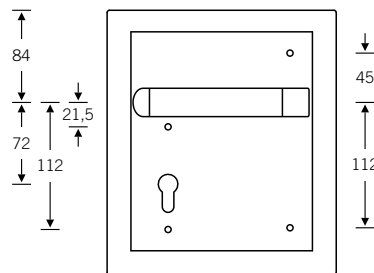
FSB door handle models, DGUV-approved  
throughout Germany; see page 75

Main benefits at a glance:

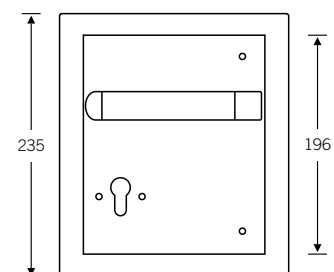
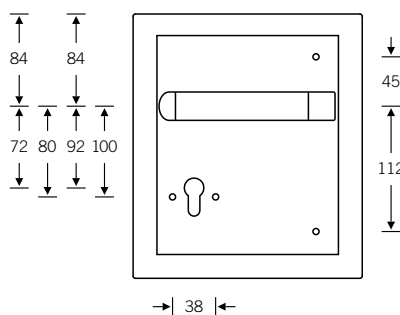
- Generous gripping space behind the door handle pursuant to EN 179
- 2 mm edge radii to prevent injury in accordance with DGUV requirements
- EN 179 lever handle with its return-to-door and generous curvature reduces the risk of hands getting caught or pinched

Pictured: right-hand model

Backplate variant for  
PC 72



Rose variant for  
PC 72 and 92 mm



To prevent any risk of injury, please ensure there is sufficient backset when fitting the handle and that the rim fits flush with the door.

Order details required:

- Backplate/rose
- DIN handing
- Keyway
- Centres
- Door thickness

- 🔑 FSB ASL®
  - 🔑 FSB AGL®
  - 🔑 FS heavy-duty fitting
  - 🔑 EN 179 heavy-duty fitting
- For bearings, see page 52 ff.

7b



# Recessed lever handles with reduced depth

- Aluminium
- Stainless steel
- Bronze

77 7949 ■



- ⊕ 8 mm square spindle
- ⊕ 9 mm square spindle

Profile cylinder (PC) and blank keyways  
Centres 72 + 92 mm  
Installation depth 23 mm  
Frame height 25 mm

For combination on opposite face with  
FSB AGL® rose or backplate half-set,  
turnably fixed variant (must be ordered  
separately)

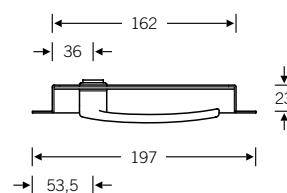
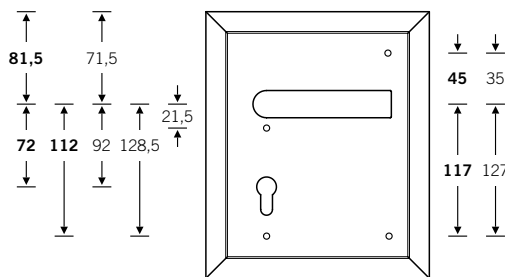
In the case of back-to-back installation,  
please keep the door thickness in mind

Main benefits at a glance:

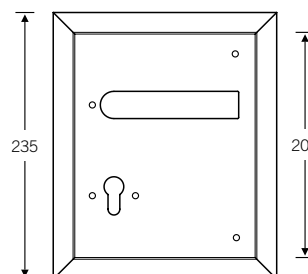
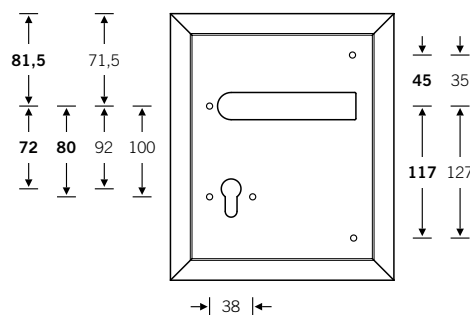
- Recessed lever handle with reduced depth
- Features straight mitred corners

Pictured: right-hand model

Backplate variant for  
PC 72 and 92 mm



Rose variant for  
PC 72 and 92 mm



To prevent any risk of injury, please ensure  
there is sufficient backset when fitting the  
handle and that the rim fits flush with the  
door.

Order details required:

- Backplate/rose
- DIN handing
- Spindle 8 or 9 mm
- Keyway
- Centres
- Door thickness

- ⊕ FSB ASL®
  - ⊕ FSB AGL®
  - ⊕ FS heavy-duty fitting
  - ⊕ EN 179 heavy-duty fitting
- For bearings, see page 52 ff.

# Recessed lever handles

## With corner radius 8 mm

- Aluminium
- Stainless steel
- Bronze

77 7950 | 77 7952 ■ ■  
77 7954 ■



- ⊕ 8 mm square spindle
- ⊕ 9 mm square spindle (FS in stainless steel only)

Profile cylinder (PC) and blank keyways  
Centres 72 + 92 mm  
Installation depth 23 mm  
Frame height 25 mm

For combination on opposite face with FSB AGL® rose or backplate half-set, turnably fixed variant (must be ordered separately)

Corner radius 8 mm

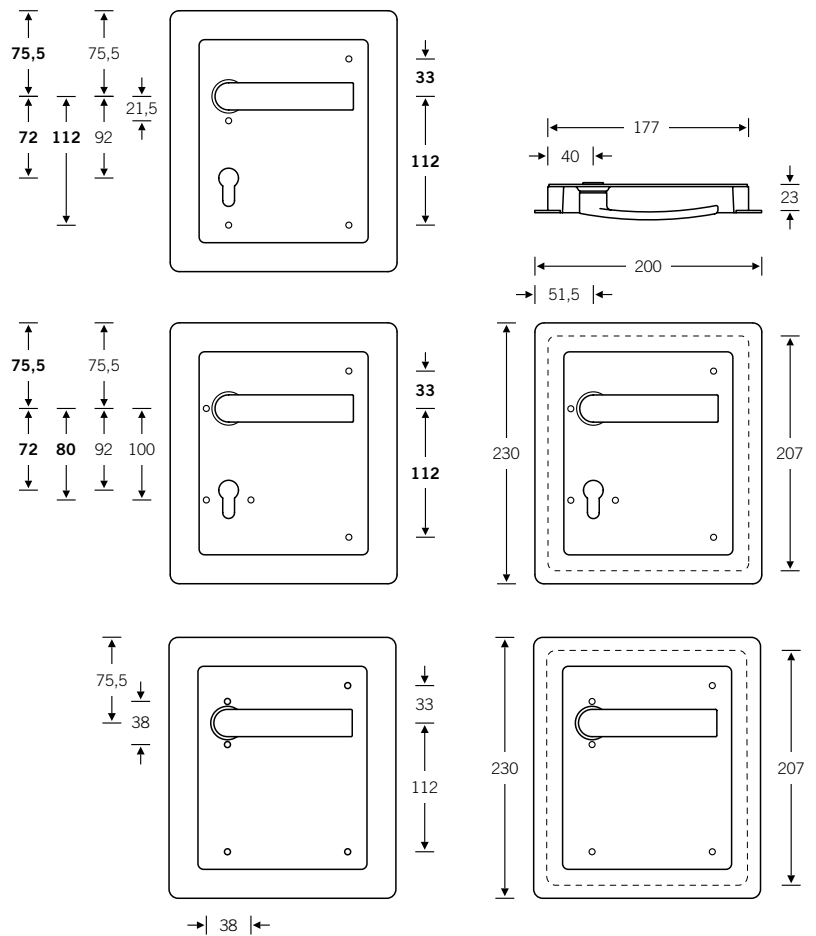
In the case of backplate variant PC 92 mm, through-fixing is only possible underneath the handle bushing.

Pictured: right-hand model

77 7950  
Backplate variant for  
PC 72 and 92 mm

77 7952  
Rose variant for  
PC 72 and 92 mm

77 7954  
Rose variant  
without PC keyway for inactive leaf



7b

To prevent any risk of injury, please ensure there is sufficient backset when fitting the handle and that the rim fits flush with the door.

Order details required:

- Backplate/rose
- DIN handing
- Spindle 8 or 9 mm
- Keyway
- Centres
- Door thickness

- ⊕ FSB ASL®
  - ⊕ FSB AGL®
  - ⊕ FS heavy-duty fitting
  - ⊕ EN 179 heavy-duty fitting
- For bearings, see page 52 ff.

# Recessed lever handles

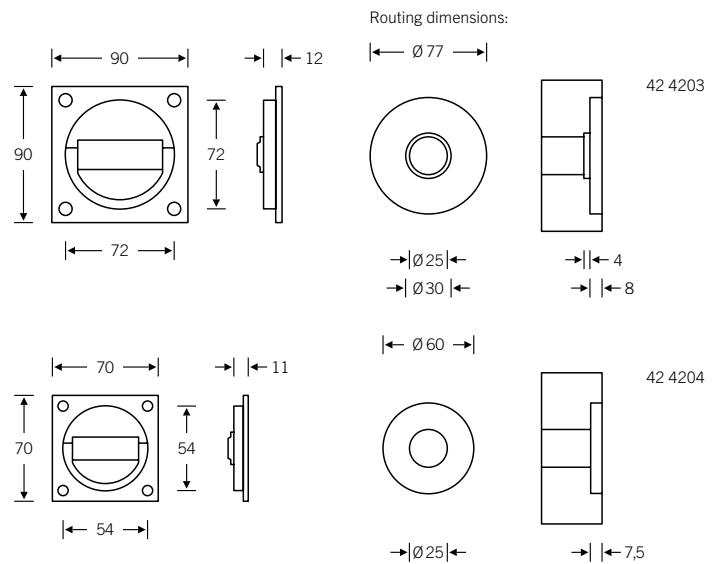
## Flush ring handle

- Aluminium
- Stainless steel
- Bronze

42 4203 | 42 4204 ■

42 4203 00010 (square 8 mm)  
42 4203 00014 (square spindle 8 mm)

42 4204 00010 (square 8 mm)  
42 4204 00014 (square spindle 8 mm)



Please specify door thickness or spindle projection when ordering.

Drill hole for countersunk screws 3.5 mm

# Recessed lever handles

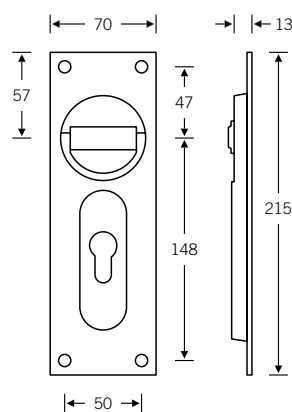
## Flush ring handle

- Aluminium
- Stainless steel
- Bronze

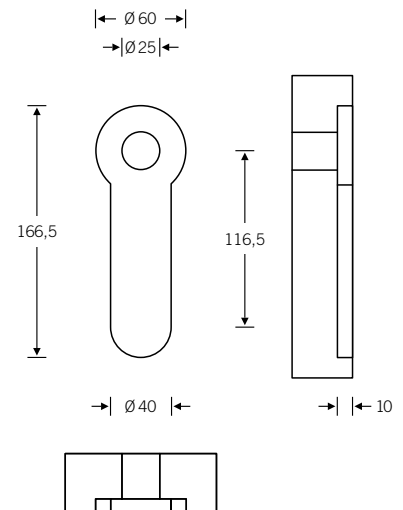
42 4205 ■

42 4205 00012 (square 8 mm)  
42 4205 00018 (square spindle 8 mm)

Centres for PC 72 mm



Routing dimensions:



7b

Please specify door thickness or spindle projection when ordering.

Drill hole for countersunk screws 3.5 mm