



772 Routing jigs and fixing equipment

Routing jigs and fixing equipment

Fast and proper

FSB lever/lever sets have to be fitted correctly if they are to function properly.

It is FSB policy to supply paper positioning templates with all orders. If these have inadvertently not been enclosed, please request them immediately. The product codes are listed in the footers of the following pages.

FSB supplies metal templates for trade installers. The product codes for these are specified on the following pages.

A considerable amount of force is exerted when operating lever/lever sets. This holds particularly true for fittings on frequently used doors. Long-term trouble-free use can only be guaranteed if sufficient care is taken when drilling and fixing the sets.

FSB has looked very carefully into the complaints received over past years. It often transpires that the reason the goods were faulty was that they were incorrectly fitted. The principal causes were as follows:

- The stabiliser lugs on roses and backplates had broken off, making it impossible to hold fittings securely in place.
- Fittings were ordered for the wrong door thickness: the spindles were either too long and then manually shortened, or too short, forcing the handles to be fitted too near to the end and causing the spindle to break.
- When connecting lever/lever sets, the grub screw was not screwed into the handle neck tightly enough, meaning that the female handle and spindle were not able to interlock fully.
- Drill holes were made freehand without using a template. Backplates and roses moved about in the oversized mounting holes.
- FSB fittings were combined with spindles, screws, backplates and roses from other manufacturers.

Please note that a warranty is only valid for FSB products if the fittings have been correctly and professionally fitted using the dedicated accessories supplied by FSB.

It is also important to note that public awareness of product liability is growing. Improperly installed door and window fittings and their accessories can pose serious risks in terms of potential product liability claims.

Routing jigs and fixing equipment

Universal template

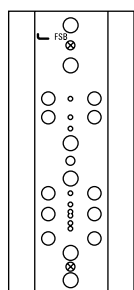
03 0460



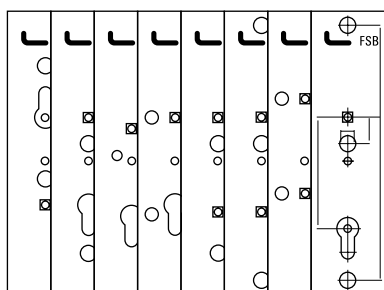
In addition to a wide range of dedicated templates, FSB has developed a universal template covering virtually every drill hole layout. This universal template should be a part of every trade installer's standard equipment.

Contents:

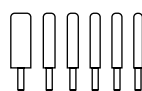
- 1 Metal template
- 2 Drilling templates*
- 3 Guide pins
- 4 Knurled screw
- 5 Drill bits
- 6 Adaptor for bigger door thicknesses of approx. 60 mm upwards, depending on lock position



1



2



3



4



5



6

Instructions for use:

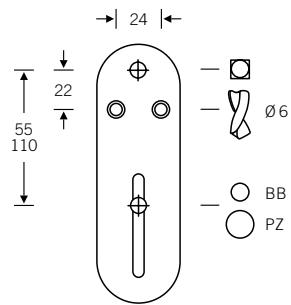
1. Select the desired drill hole layout from the paper templates.
2. Slot the selected drill hole layout into the guide of the metal template from the front.
3. Firmly secure the drill hole layout with the knurled screw.
4. Select guide pins for the lock follower (7 mm, 8 mm, 9 mm, 10 mm) and keyway (warded lock, profile cylinder, thumb turn) to suit the dimensions of the lock in question and screw them into the metal template from the back until you can see them in the drill hole layout from the front.
5. Having attached the now-assembled universal template to the door lock, drill the holes as indicated on either side.
6. Remove the template and install the FSB sets as per the fixing instructions.

* Drilling templates can also be ordered separately under product code 03 0450 09145 9801

Routing jigs and fixing equipment

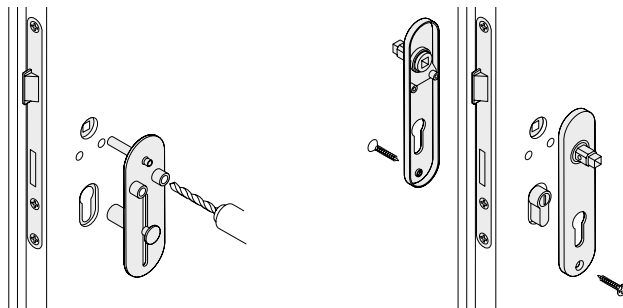
Template for short backplates with visible fixing

03 0453



Fixing template for standard FSB short backplates, fitted with stabiliser lugs and with option of visible fixing

Variable use for WL, PC, WC 55 – 78 mm



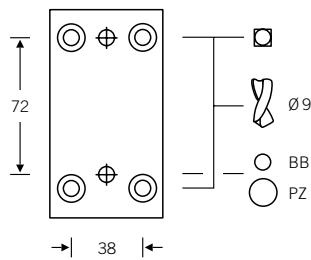
Paper template

78 8429 00252
for FSB short backplates with stabiliser lugs, standard and WC sets

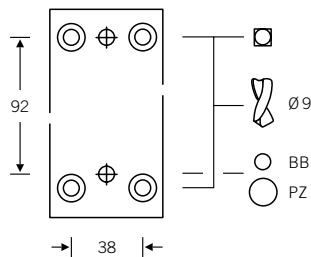
Routing jigs and fixing equipment

Template for rose sets

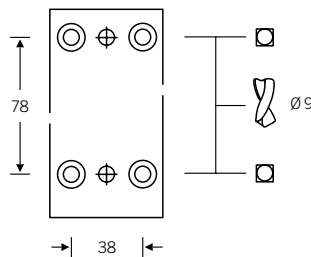
03 0455



03 0455 00000
WL and PC 72 mm



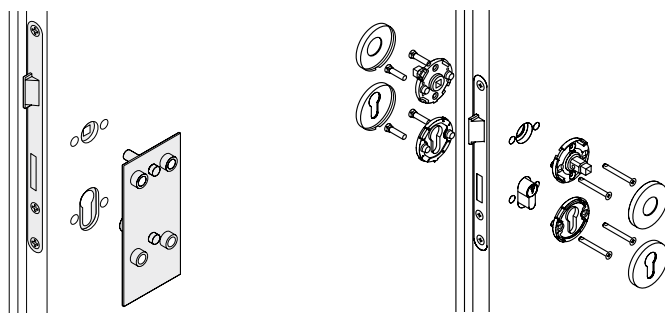
03 0455 00012
WL and PC 92 mm



03 0455 05608
WC 78 mm

Fixing templates for all FSB roses designed for concealed fixing:

- FSB handle and key roses for FSB ASL®, FSB AGL® and FSB AGL® fire safety
- FSB security roses
- FSB security fittings with rose fixing



Paper templates

78 8429 00250
for FSB ASL® rose sets and FSB AGL® + FSB AGL® fire safety heavy-duty sets

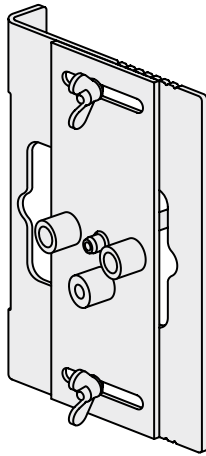
78 8429 00251
for FSB ASL® and FSB AGL® WC roses

9c

Routing jigs and fixing equipment

Template for lever handles with privacy function

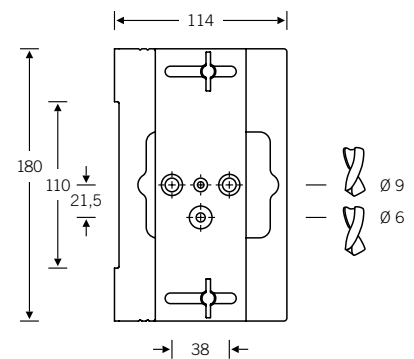
03 0455



03 0455 03000

Fixing template for
roses for lever handle with privacy function

The drill hole in the lock is positioned below the lock follower in order to operate the emergency release from the outside of the door. Template 03 0455 03000 with side attachment for precise preparation of the door – based on the backset – is provided for this.



Routing jigs and fixing equipment

Template for crossbar fittings

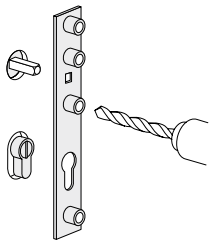
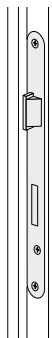
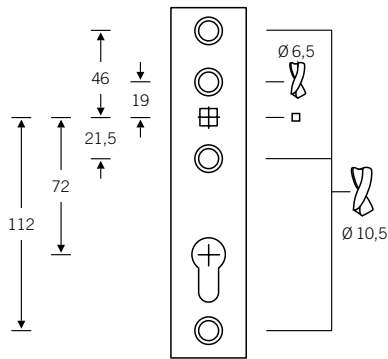
03 0457

77 7970 00110
77 7970 00200

77 7980 0..10
77 7980 0..00

77 7981 0..10
77 7981 0..00

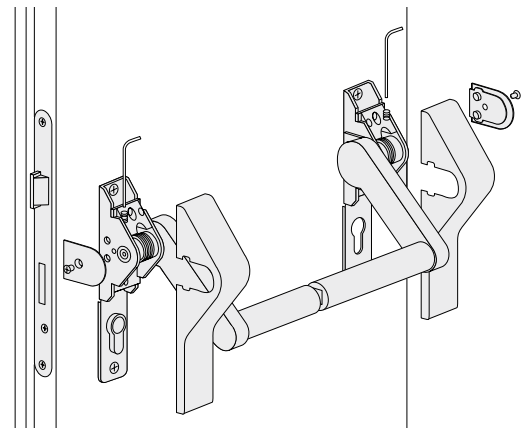
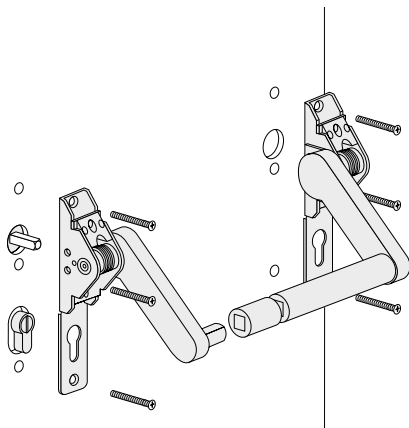
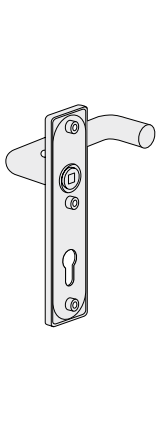
Fixing templates for
FSB crossbar fittings



Insert FSB special spindle 05 0125 into the lock and fit the cylinder. Push the drilling template onto the spindle and cylinder and drill through the bushings. Repeat the process on the hinge side. Then work out the lengths of the crossbar and reinforcement bar: these are calculated by multiplying the backset by two, adding a further 68 mm and then subtracting this figure from the width of the door. Once the bars have been cut to size, insert plastic end caps into the tube, if the tube is stainless

steel. Assembling the panic hardware and connecting it to the reverse-face fitting is very straightforward. Full instructions are enclosed with the fitting. Once the stop device has been adjusted (77 7970 only) and the cover caps have been fitted, check the fitting to ensure it is working properly.

79 8430 00085
Fixing instructions for
FSB crossbar fitting 77 7970



9c

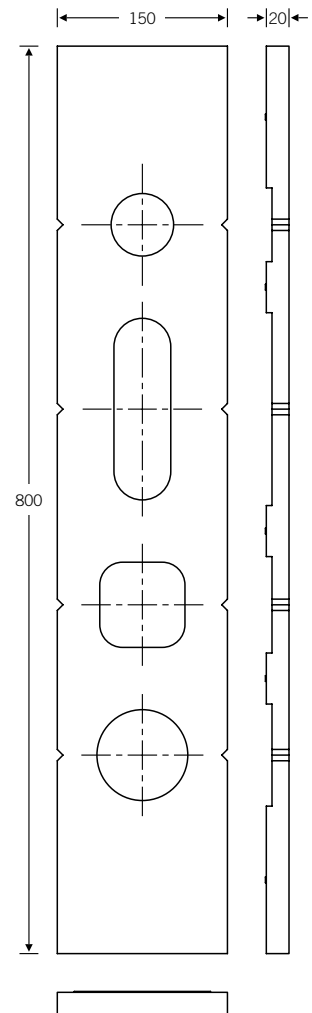
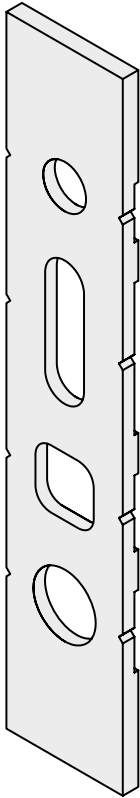
Routing jigs and fixing equipment

Routing jig for sliding door handles

03 0462

03 0462 00020

Routing jig for
sliding door handles 42 4250 – 42 4254



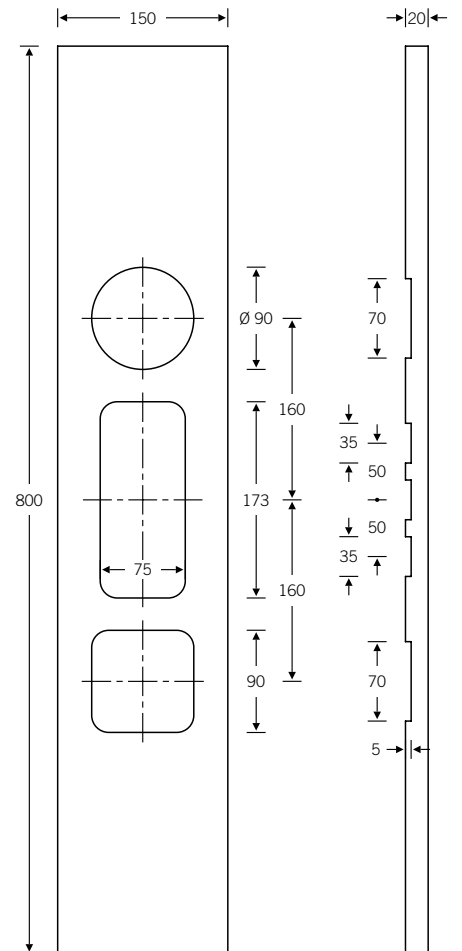
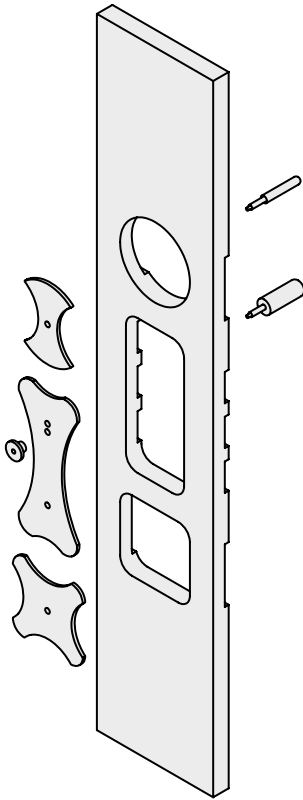
Routing jigs and fixing equipment

Routing jig for sliding door handles

03 0462

03 0462 00050

Routing jig for
sliding door handles 42 4260 – 42 4265

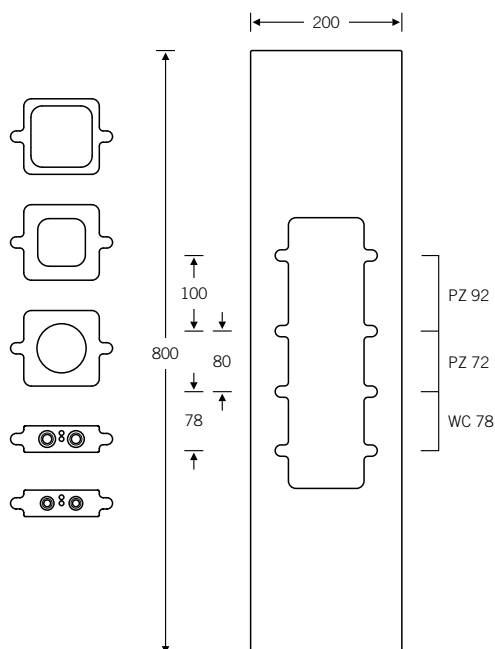


9c

Routing jigs and fixing equipment

Routing jig for flush-fitted roses

03 0462



German centres

How to use for 17 1733 / 17 1734: push the two centring devices into the timber routing jig and place the assembly against the door. Slot the two guide pins on the centring devices into the handle follower and the profile cylinder or other keyway, and then align the routing jig parallel with the door leaf. Secure the routing jig to the door with C-clamps at the resulting position, then drill the holes for the roses and hardware respectively through the bushings on the centring devices. Now remove the centring devices and, using the small insert, mill out the recesses to a depth of 3 mm and a diameter of 55.6 mm with the aid of a $\varnothing 20$ mm routing bit and a $\varnothing 30$ mm collar ring. Then switch to the large insert and mill out the corner areas, likewise to a depth of 3 mm using a $\varnothing 30$ mm collar ring but only a $\varnothing 4$ mm routing bit. Repeat the process on the opposite side.

How to use for heavy-duty sets and 17 1736 / 17 1737: use the circular insert to mill out recesses to a depth of 3 or 7 mm with a $\varnothing 20$ mm routing bit and a $\varnothing 30$ mm collar ring.

03 0462 00030
(PC 72 + 92 mm, WC/T/8/78 mm)

For angular flush-fitted roses
17 1733 / 17 1734, door thicknesses of
38–42 mm, depth 3 mm, 55.6 × 55.6 mm

For round flush-fitted roses
17 1736 / 17 1737, door thicknesses of
38–42 mm, depth 3 mm, $\varnothing 55.6$ mm

For flush-fitted heavy-duty sets (round
roses) 72 and 76, 79, door thickness
45 mm upwards, depth 7 mm, $\varnothing 55.6$ mm

For flush-fitted security rose 73 7396

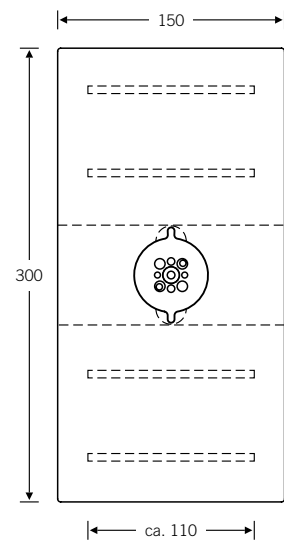
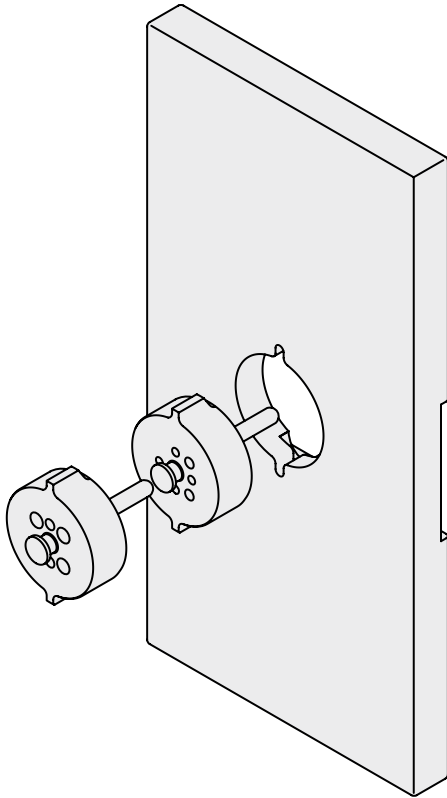
Routing jigs and fixing equipment

Routing jig for plug-in handles for timber windows for timber windows

03 0462

03 0462 00040 9600

Routing jig for
plug-in handles for timber windows,
lockable and not lockable

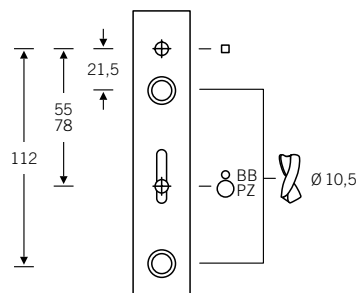


9c

Routing jigs and fixing equipment

Template for short backplates with concealed fixing

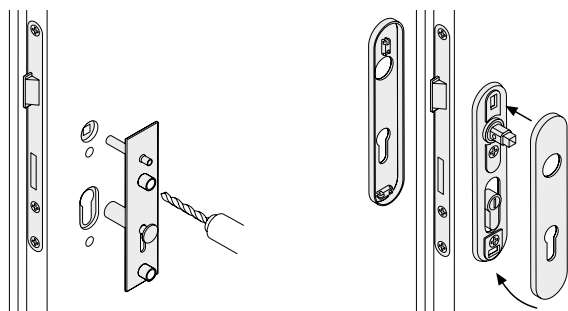
03 0477



Fixing template for:

- FSB short backplate sets with FSB AGL® and FSB AGL® fire safety
- FSB short backplate sets with FSB ASL®

Variable use for
WL, PC, WC 55–78 mm



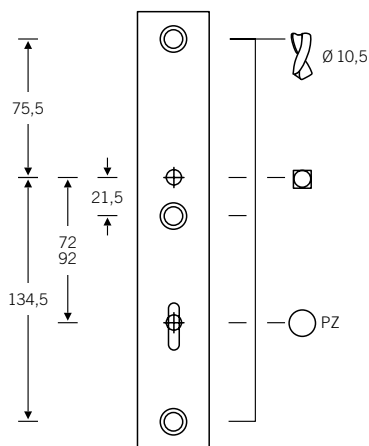
Paper template

78 8429 00253
for FSB short backplates with FSB ASL®
and FSB AGL® and FSB AGL® fire safety
heavy-duty fittings

Routing jigs and fixing equipment

Template for long and broad backplates with concealed fixing

03 0476

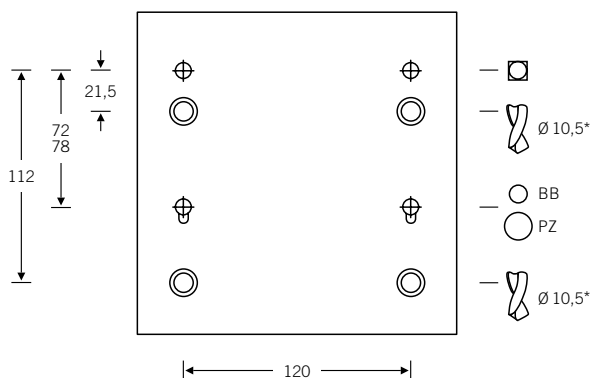


Fixing template for:

- FSB long backplate sets with FSB AGL® and FSB AGL® fire safety
- FSB long backplate sets with FSB ASL®
- FSB security fitting for narrow-stile doors FSB 73 7330 and 73 7331 FSB 73 7530 and 73 7531
- FSB narrow-stile door sets in long backplate variant FSB 06 7816

Variable use for
WL, PC, WC 72–92 mm

03 0478

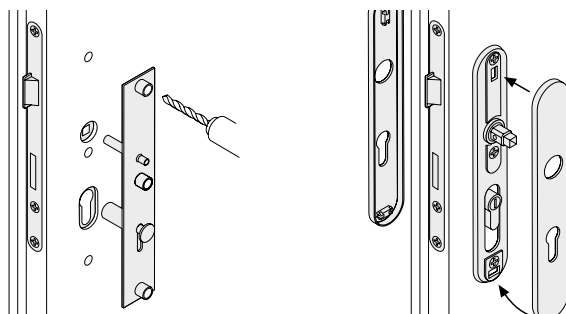


Fixing template for:

- FSB broad backplate sets with FSB AGL® FSB 72 WL, PC, WC 72–78 mm
- FSB broad backplate sets in FSB AGL® fire safety variant FSB 76 PC 72 mm

* Drill hole for stabiliser lugs
for FSB AGL® 72: 4 × 10.5 mm
for FSB AGL® FS 76: 2 × 10.5 mm
(through-drilling on lock side) or 2 × 3.5 mm (face-drilling outside lock area)

Note the door handing.
Adaptor for bushings (drill hole 3.5 mm) is included in the scope of delivery.



Paper templates

78 8429 00256 FSB AGL®
78 8429 00292 FSB AGL® FS
for FSB broad backplates

78 8429 00254
for FSB long backplates with FSB ASL®,
FSB AGL® and FSB AGL® fire safety
78 8429 00255 WC sets

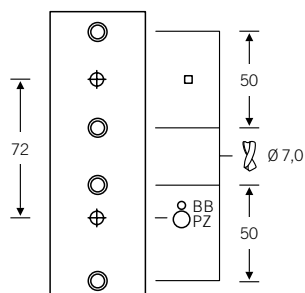
9c

Routing jigs and fixing equipment

Template for narrow-stile door roses with rivet nuts

03 0481

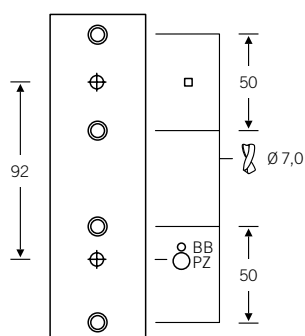
Fixing template for oval FSB roses with rivet nuts and when using FSB fixing accessories 05 0526



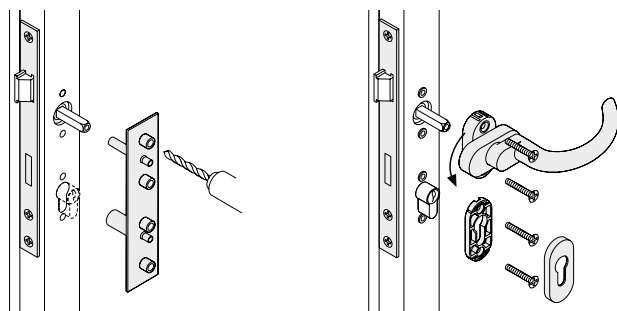
WL, PC 72 mm

03 0482

Fixing template for oval FSB roses with rivet nuts and when using FSB fixing accessories 05 0526



WL, PC 92 mm



Paper template

78 8429 00259
for FSB narrow-stile door handles on oval rose with rivet nuts

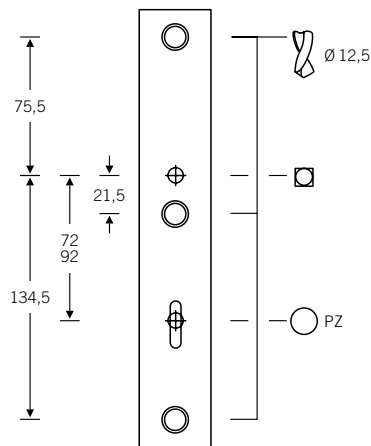
Routing jigs and fixing equipment

Template for security fittings

03 0487

Fixing template for
FSB security set in long backplate variant

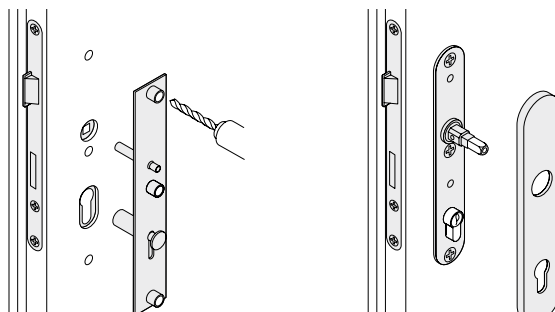
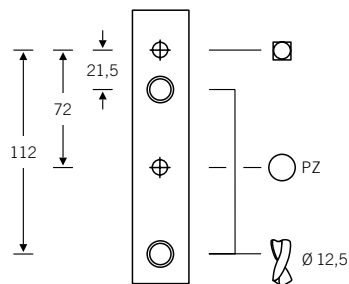
Variable use for PC 72–92 mm



03 0488

Fixing template for
FSB security set in short backplate variant

PC 72 mm



Paper templates

78 8429 00211 – 78 8429 00216
(depending on variant) for FSB security set

9c